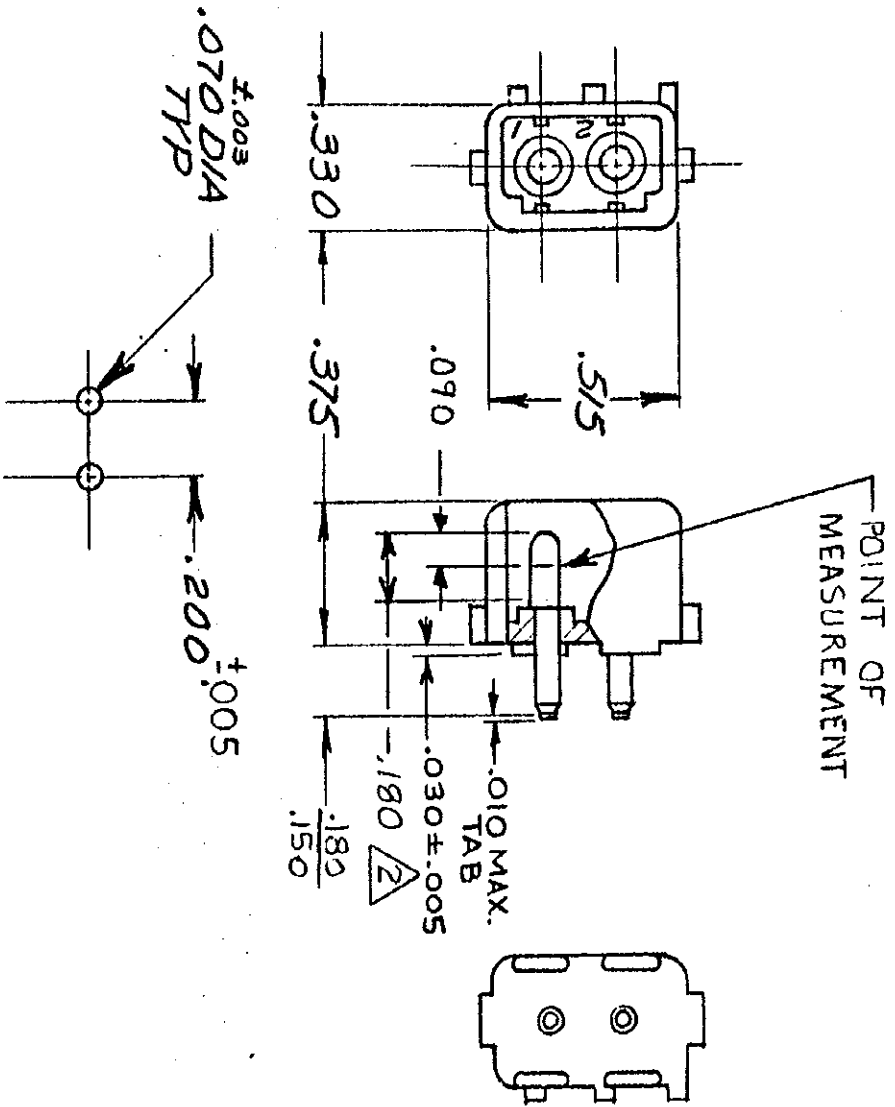


PRINT/DIST 59 DIMENSIONS IN INCHES. DO NOT SCALE PRINT.



RECOMMENDED LAYOUT FOR
.062 THICK P.C. BOARD

1. PARTS COMPLY WITH AMP SOLDERABILITY SPEC. NO. 109-11-3
2. CONTACT IS PLATED OVERALL WITH .000050 NICKEL, THEN .000030 GOLD OVER CONTACT LENGTH INDICATED AND MATTE TIN ON SOLDER TAIL END.

REVISION RECORD	DR	CHK	DATE
N	KU	RS	4-16-86
P	RS	RS	3/29/89
R	NG	RS	8-4-82
OBSOLETE 2-1-6-1			
PER FCN CM-2706			
OBS 1-1, 5-1, 9-1			
PER CM 2213			
OBSOLETE 3-1			
4-1, 7-1, 8-1, 12, 22			
3-2, 4, 5, 26, 27, 28, 29			

NUMBER	350209
REQUIRED PER ASSEMBLY	
DESCRIPTION	

ASSEMBLY NO.	350209-1	NYLON - NAT.	COPPER ALLOY - PRE-TIN
ASSEMBLY NO.	350209-2	NYLON - NAT	COPPER ALLOY - GOLD
MATERIAL AND FINISH			
SEE TABLE			
WIRE - RANGE - INSULATION			
TOLERANCE EXCEPT AS NOTED			
SCALE			
TYPE			
CLASS			
NO			
REF			
NAME			
2 CIRCUIT P.C. BOARD MATE-N-10K			
PC BOARD HEADER			

DR G. ECKMAN 3-12-73
CHK CHA H. H. H. 3/16/73
DE Thales 3-16-73
APP Thales 3-16-73

© 1973 BY AMP INCORPORATED. ALL RIGHTS RESERVED.
AMP PRODUCTS COVERED BY PATENTS AND/OR PATENTS PENDING.
CUSTOMER COPY REFERENCE ONLY
AMP INCORPORATED
HARRISBURG, PENNA.